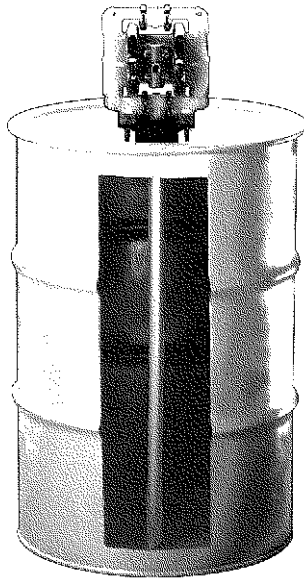


# ENGINEERED R E V O L U T I O N

## DRUM PUMP KIT



The Universal Drum Pump Kit is designed as a lightweight, portable means of adapting your ¼" or ½" Wilden diaphragm pump to drum pumping applications. The Universal drum pump kit offers cost-effective, efficient liquid transfer. The kit is available in a variety of materials for compatibility with virtually any fluid. The drum pump adapter is available in a 2" (5.1cm) NPT male connection suitable for installation on most drums. The standard length of the pick-up tube is 36" (91.4cm). The tube can be cut to accommodate various drum sizes.

The drum pump adapter is available in Nylon and Polypropylene. The pick-up tube is available in Nylon, Polypropylene and Teflon® PTFE.

The drum pump kit is used in conjunction with the Wilden P.025, A1, P1 and M1 pumps. Wilden pumps run dry without damage, are self priming, employ no electric motors, seals, bearings, or impellers and easily mount to the Wilden drum pump adapter. Contact your authorized Wilden distributor for more information.



# WILDEN®

AIR OPERATED DOUBLE DIAPHRAGM PUMPS

A DOVER RESOURCES COMPANY

[www.wildenpump.com](http://www.wildenpump.com)

# ENGINEERED REVOLUTION

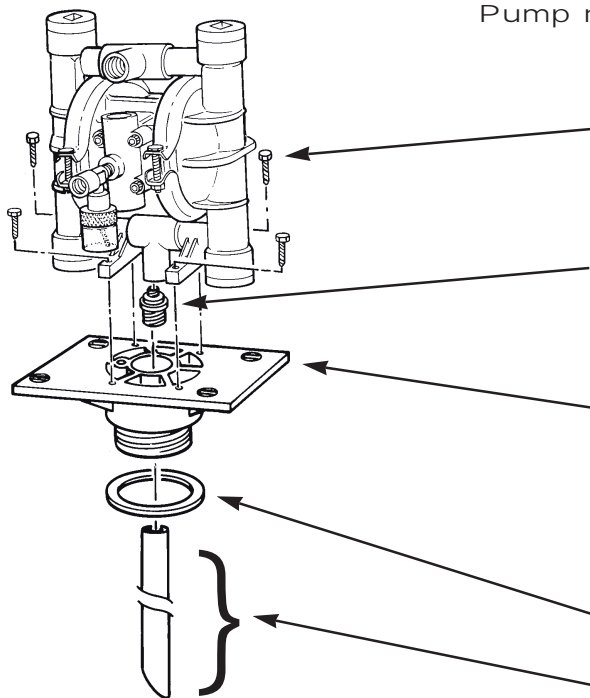
## Universal Drum Pump Kit

(One kit fits both 1/4" & 1/2" Wilden Pumps)

### Drum Pump Kit Options:

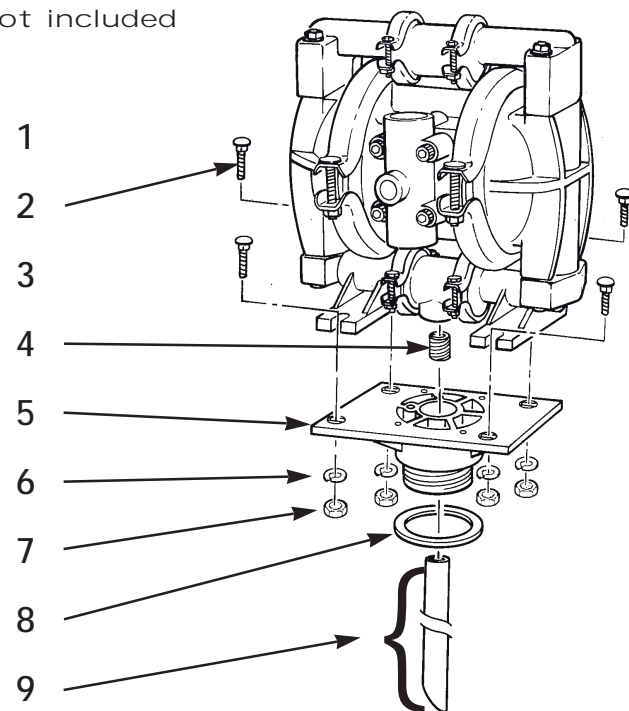
Description	Part No.	Ship Weight	Box Dimension
Universal Drum Pump Kit-Polypropylene	50-9290-20	3 lbs.	3"x6"x4"
Universal Drum Pump Kit-Teflon PTFE	50-9290-55	3 lbs.	3"x6"x4"
Universal Drum Pump Kit-Nylon	50-9250-23	3 lbs.	3"x6"x4"

### P.025 Installation 1/4" Wilden Pump



Pump not included

### P1, T1 & A1 Installation 1/2" Wilden Pump



Item#	Qty	Description	Part No.	Material of Construction
1	4	Self Tapping Screws	50-6350-03	Stainless Steel
2	4	Carriage Bolt 1/4 - 20x1 1/2	02-6050-03-500	Stainless Steel
3	1	Adapter Nipple for P.025	50-9360-20 50-9360-23 50-9360-55	Polypropylene Nylon Teflon® PTFE
4	1	Adapter Nipple for T1	50-9350-20 50-9350-23 50-9350-55	Polypropylene Nylon Teflon® PTFE
5	1	Drum pump Base Adapter	50-9330-20 50-9330-23	Polypropylene Nylon
6	4	Lock Washer	50-6760-03	Stainless Steel
7	4	1/4 - 20 Nut	04-6400-03	Stainless Steel
8	1	Drum Pump Base Gasket	50-1480-52	Buna-N
9	1	Pick-up Tube	50-9310-20 50-9310-23 50-9310-55	Polypropylene Nylon Teflon® PTFE



# WILDEN®

AIR OPERATED DOUBLE DIAPHRAGM PUMPS

22069 Van Buren St., Grand Terrace, CA 92313-5607

Telephone (909) 422-1730 • Fax (909) 783-3440

www.wildenpump.com

A DOVER RESOURCES COMPANY

Your local authorized distributor: