

WILDEN'S DRUM PUMP KIT

A BETTER WAY TO PUMP



- SELF-PRIMING
- 8.6 BAR (125 PSIG) MAX
- ON/OFF RELIABLE
- INTRINSICALLY SAFE
- ABILITY TO RUN DRY
- ABILITY TO DEADHEAD

WILDEN[®]

A **DOVER** COMPANY

ENGINEERED REVOLUTION

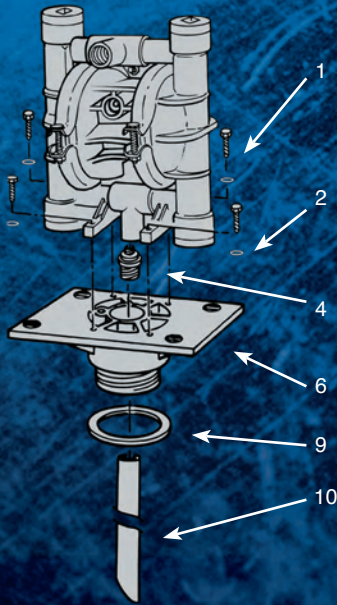
Universal Drum Pump Kit

(One kit fits both 6 mm (1/4") & 13 mm (1/2") Wilden Pumps)

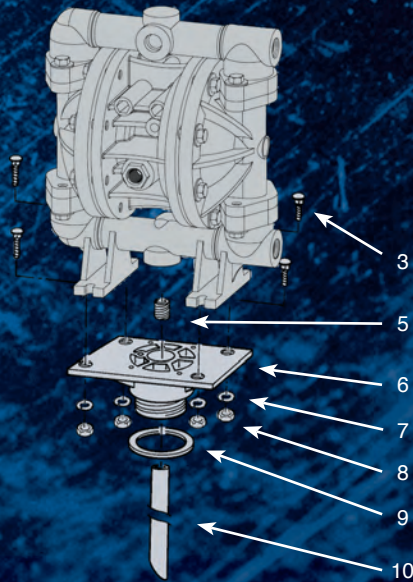
Drum Pump Kit Options:

Description	Part No.	Ship Weight	Box Dimension
Universal Drum Pump Kit-Polypropylene	50-9290-20	1.4 kg (3 lbs)	3'x6"x4"
Universal Drum Pump Kit-Teflon PTFE	50-9290-55	1.4 kg (3 lbs)	3'x6"x4"
Universal Drum Pump Kit-Nylon	50-9290-23	1.4 kg (3 lbs)	3'x6"x4"

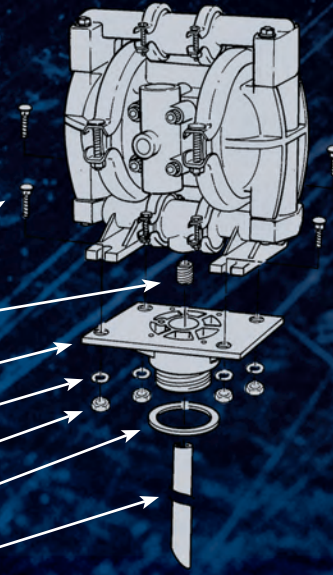
A.025 & P.025 Installation



P100 Advanced™ Installation



A1, P1 & T1 Installation



WILDEN®

A DOVER COMPANY

Drum Pump Parts:

Item#	Qty	Description	Part No.	Material of Construction
1	4	Self Tapping Screws	50-6350-03	Stainless Steel
2	4	Flat Washer	00-6740-03-514	Stainless Steel
3	4	Carriage Bolt 1/4 - 20x1 1/2	02-6050-03-500	Stainless Steel
4	1	Adapter Nipple for P.025 & A.025	50-9360-20 50-9360-23 50-9360-55	Polypropylene Nylon Teflon® PTFE
5	1	Adapter Nipple for T1, A1 & P1	50-9350-23 50-9350-55	Nylon Teflon® PTFE
6	1	Drum Pump Base Adapter	50-9330-20 50-9330-23	Polypropylene Nylon
7	4	Lock Washer	50-6760-03	Stainless Steel
8	4	1/4 - 20 Nut	04-6400-03	Stainless Steel
9	1	Drum Pump Base Gasket	50-1480-52	Buna-N
10	1	Pick-up Tube	50-9310-20 50-9310-23 50-9310-55	Polypropylene Nylon Teflon® PTFE

22069 Van Buren St., Grand Terrace, CA 92313-5607
Telephone (909) 422-1730 • Fax (909) 783-3440
wilden@wildenpump.com

Your local authorized distributor:

