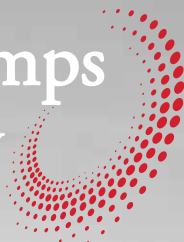


AL Industrial Series

Rotary Lobe Industrial Applications



Ampco Pumps
Company



Ampco's AL Industrial Series rotary lobe positive displacement pump is now being used effectively in traditional industrial applications. The double mechanical seal with flush port has greater longevity than typical industrial rotary lobe pumps.



The AL Industrial positive displacement pump is capable of pumping shear-sensitive fluids while providing a good non-pulse flow. The non-contacting lobe design of the AL allows for continuous trouble-free pump operation where other pumps fail. Optional single wing lobes are available for larger particulate applications. All AL Series rotary lobe pumps come pre-drilled for flush and optional relief valve covers and heating jackets are available.

The AL Series features front-loading seals that can be installed without disconnecting the piping, reducing down time and maintenance expense. The AL is easily modified in the field making it the most versatile rotary lobe positive displacement pump in the market today.

Seal options

- Single Mechanical (Multi-spring pusher type seal)
- Single O-ring
- Double O-ring
- Double Mechanical
- Single Mechanical with lip seal
- Double lip seal

Applications

- Unloading
- Product transfer to drum
- Product transfer to holding tank
- Transfer to byproduct waste

Typical Media

- Paint
- Glue
- Linseed / Coconut / Soybean oils
- Thickeners / Rheology / modifiers
- Surfactants
- Epoxies
- Polyurethanes
- Binder
- Paper coatings
- Ink, Pigments & Dyes
- Sugars & starches
- Resins

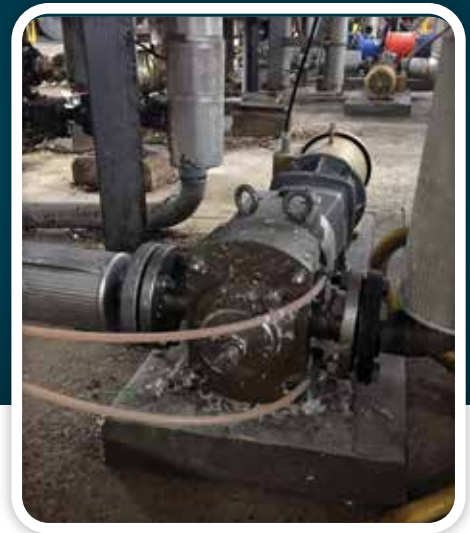
MODEL NO.	DISPLACEMENT		STANDARD CONNECTION SIZE		MAX DIFFERENTIAL PRESSURE		MAX SPEED
	GALLONS / REV	LITERS / REV	INCHES	MM	PSI	BAR	RPM
AL05-002-20	0.005	0.02	1.00	25	290	20	1000
AL10-005-20	0.013	0.05	1.00	25	290	20	1000
AL15-012-12	0.032	0.12	1.50	40	175	12	800
AL20-021-08	0.056	0.21	2.00	50	115	8	800
AL22-040-12	0.106	0.40	2.00	50	175	12	700
AL25-062-08	0.164	0.62	2.50	65	115	8	700
AL33-120-12	0.269	1.02	3.00	80	175	12	600
AL34-144-08	0.380	1.44	4.00	100	115	8	600
AL44-227-12	0.600	2.27	4.00	100	175	12	500
AL46-334-08	0.881	3.34	6.00	150	115	8	500



Polyvinyl Acetate



Pumping a chemical used to de-ice planes

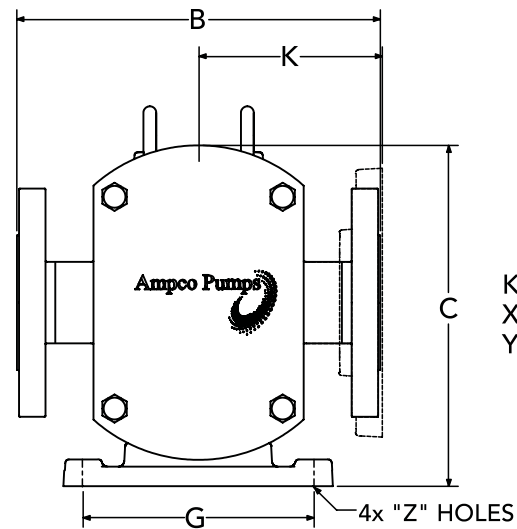
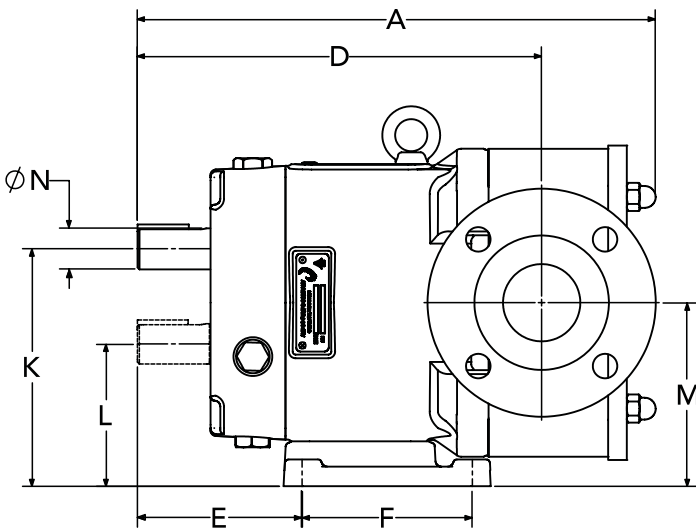


Dimethanolamine

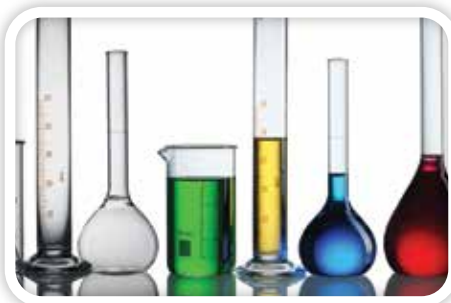
DIMENSION

MODEL NO.	A		B		C		D		E		F		G		I		K		L		M		N		X		Y		Z	
	MM	IN	MM	IN	MM	IN	MM	IN	MM	IN	MM	IN	MM	IN	MM	IN	MM	IN	MM	IN	MM	IN	MM	IN	MM	IN	MM	IN	MM	IN
AL05-002-20	255	10.0	212	8.3	200	7.9	218	8.6	96	3.78	84	3.31	134	5.28	12	0.47	141	5.55	77	3.03	109	4.29	22	0.87	30	1.18	6	0.24	6	0.24
AL10-005-20	255	10.0	212	8.3	200	7.9	218	8.6	96	3.78	84	3.31	134	5.28	12	0.47	141	5.55	77	3.03	109	4.29	22	0.87	30	1.18	6	0.24	6	0.24
AL15-012-12	264	10.4	212	8.3	200	7.9	222	8.7	96	3.78	84	3.31	134	5.28	12	0.47	141	5.55	77	3.03	109	4.29	22	0.87	30	1.18	6	0.24	6	0.24
AL20-021-08	284	11.2	212	8.3	200	7.9	230	9.1	96	3.78	84	3.31	134	5.28	12	0.47	141	5.55	77	3.03	109	4.29	22	0.87	30	1.18	6	0.24	6	0.24
AL22-040-12	386	15.2	248	9.8	264.5	10.4	305	12.0	129	5.08	132	5.20	180	7.09	15	0.59	185	7.28	101	3.98	143	5.63	32	1.26	50	1.97	10	0.39	11	0.43
AL25-062-08	406	16.0	258	10.2	264.5	10.4	315	12.4	129	5.08	132	5.20	180	7.09	15	0.59	185	7.28	101	3.98	143	5.63	32	1.26	50	1.97	10	0.39	11	0.43
AL33-120-12	533	21.0	322	12.7	347.5	13.7	390	15.4	159	6.26	160	6.30	242	9.53	22	0.87	243.5	9.59	128.5	5.06	186	7.32	45	1.77	60	2.36	14	0.55	13	0.51
AL34-144-08	546	21.5	350	13.8	347.5	13.7	402	15.8	159	6.26	160	6.30	242	9.53	22	0.87	243.5	9.59	128.5	5.06	186	7.32	45	1.77	60	2.36	14	0.55	13	0.51
AL44-227-12	647	24.0	432	17	458	18.0	506	20.0	198	8.0	210	8.00	320	13.0	30	1.0	324	13.0	170	7.0	247	10.0	55	2.0	87	3.0	14	1.0	15	1.0
AL46-334-08	660	26.0	432	17	458	18.0	533	21.0	198	8.0	210	8.00	320	13.0	30	1.0	324	13.0	170	7.0	247	10.0	55	2.0	87	3.0	14	1.0	15	1.0

The AL Industrial Pump comes standard with 150# flange connections, options are available.



KEYWAY DETAILS
X: LENGTH
Y: WIDTH



Visit www.ampcopumps.com for individual pump curves and dimensional drawings.



2045 W. Mill Road
Glendale, WI 53209
Phone: 800.737.8671
www.ampcopumps.com



Ampco Pumps GmbH
Gewerbepark West II 7
76863 Herxheim Germany
Phone: +49 7276 5058515
info@ampcopumps.de